

# DX340ES Digital Wireless Headset System

DX Series Wireless Solutions

Linking  
People  
Together



DX340ES System

## Key Features and Benefits

- Two-Channel 2.4GHz Portable Wireless System
- Configure to operate with any radio or 4-wire based configuration
- Up to 4 full-duplex or 12 half-duplex beltback and/or all-in-one headset users per base station
- Link two bases together to support a maximum of 30 users
- Single or dual-channel operation
- 7kHz wideband audio
- Lost packet concealment
- Better RF filtering than DX300ES
- Secure 64-bit encryption
- Dedicated channel relays
- 10-pin terminal strip connector for easy connection to 4-wire intercom systems
- Triple diversity (space, time and frequency) operation for extreme multi-path environments
- No frequency coordination or licensing for operation
- Power base station via 100-240 VAC, 12-14 VDC, 1.5V "AA" batteries or an optional rechargeable BAT850 battery
- Up to 20 hrs of battery life on beltback and All-in-One headset

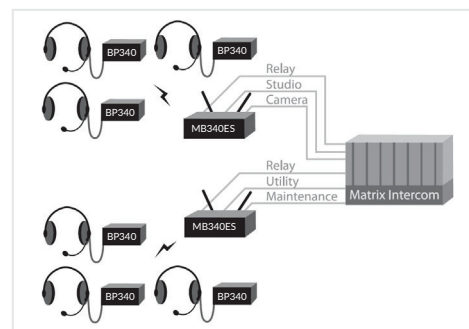
The DX340ES is a compact two-channel digital wireless solution operating in the 2.4GHz frequency band with 7kHz wideband audio delivering portable external radio or intercom communications.

## Description

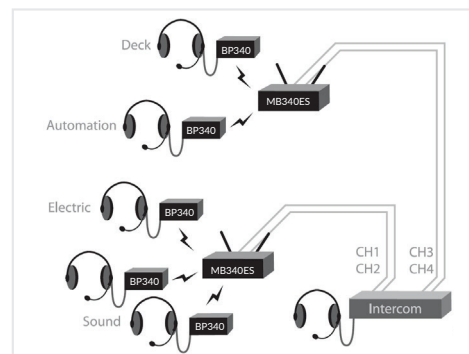
The DX340ES system supports hands-free, two-way digital conversations with interfacing for two channels of external radio or intercom communications. Its compact design makes it highly portable and very quick to set up and operate.

Special features include two-channel operation, 4-wire audio interfaces, wideband 7kHz audio, lost packet concealment, and improved out of band RF filtering for reduced interference. With multi-channel support and relay closures, the DX340ES can also support live event, remote broadcast, movie and video production applications.

## Broadcast



## Wired Intercom



# DX340ES Digital Wireless Headset System

DX Series Wireless Solutions

## System Specifications

**Frequency Range:** All (2400 – 2483.5 MHz), Low (2401.92 to 2439.936 MHz) or High Band (2443.392 to 2481.408 MHz)

**Frequency Response:** 200 Hz to 7 kHz

**Security:** 64-Bit Encryption

**Temperature Range:** -4 to 131°F (-20 to 55°C) typical

**Transmit/Receive:** Frequency-Hopping, Spread Spectrum (FHSS)

**Transmit Power:** 100mw Burst

**Modulation Type:** Gaussian Filtered FSK, TDMA

**Frequency Stability:** 13 ppm

**Harmonics/Spurious:** Exceeds FCC and ETSI Specifications Over Temperature

**RF Sensitivity:** <-90dBm w 10-3 BER

**System Distortion:** <2%

**Dynamic Range:** -90dBm to -20dBm

**FCC Acceptance:** Part 15

## MB340ES Base Station

**Antenna Type:** External, Dual Diversity ½-Wave Dipole, R-TNC Connector (x2)

**AUX I/O:** 600 Ω Balanced, with Level Adjustment

**Headset Connector (x2):** Mini-DIN

**Headset Output:** 200mW into 32W

**Relay:** 8-Pin Phoenix – NC,COM,NO,GND (x2) 2A @ 30VDC

### Power

100–240VAC, 50–60Hz or 12–14VDC or Six 1.5V AA Batteries or BAT850 Rechargeable Battery (Optional)

### Dimensions

8 x 8 x 3.5 in. (WxHxD)  
(203 x 203 x 90 mm)

### Weight

2.75 lb (1.25kg) with Battery

## BP340 Beltpack/ WH340 All-in-One Headset

**Antenna Type:** Internal, Dual Diversity (beltpack)

**Transmission Modes:** Continuous (Latched) or Push-to-Talk (PTT)

**Mic Input:** Electret

**Headset Output:** 160mw into 32W

**Indicators:** Power/Transmit/Low Battery LED & Voice Prompts

**Beltpack Headset Connector:** Mini-DIN

**Beltpack Carrying Pouch:** Santoprene

### Battery Life

Latched, Up to 14 Hours, PTT: Up to 20 Hours

### Dimensions

BP340:

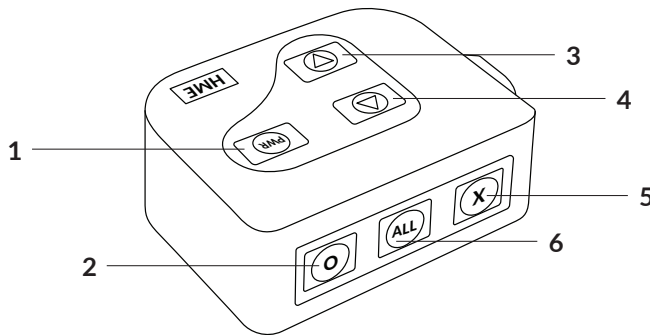
3.4 x 2.6 x 1.5 in. (WxHxD)  
(86 x 66 x 38 mm)

### Weight

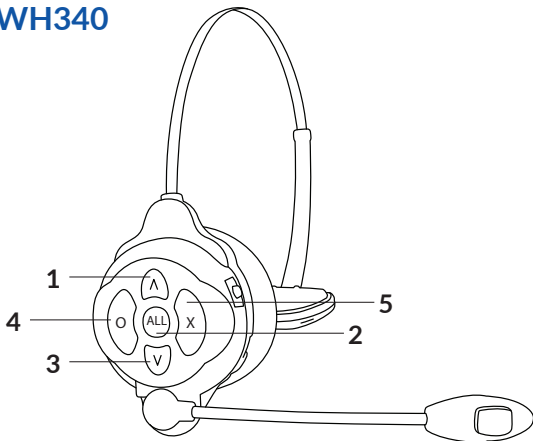
BP340: 7.4 oz (0.21 kg) with Battery & Pouch

WH340: 5.7 oz (0.16 kg) with Battery

## BP340



## WH340



## Legend

### Beltpack Bottom

- |                |              |
|----------------|--------------|
| 1. Power       | 4. Volume Up |
| 2. Channel O   | 5. Channel X |
| 3. Volume Down | 6. All       |

### Headset

- |                |
|----------------|
| 1. Volume Up   |
| 2. All         |
| 3. Volume Down |
| 4. Channel O   |
| 5. Channel X   |

## Order Codes

### MB340 Base Station

CZ-MB340: base station

CZ-MB340-EU: base station EU version

### BP340 Beltpack

CZ-BP340: beltpack (includes 2 BAT41 batteries)

104034: BAT41 rechargeable battery

### WH340 All-in-One Headset

CZ-WH340: headset (includes 2 BAT50 batteries)

CZ-BAT50: BAT50 rechargeable battery