

# FreeSpeak Cell Beltpack

## Wireless Solutions



FreeSpeak Cell Beltpack

## Key Features and Benefits

### Beltpack

- Functions with Eclipse HX via E-IPA cards
- Supports hundreds of beltpacks on a single system
- TFT color display (120x480)
- 9 buttons (8 programmable and 1 reply)
- Rotary controls on both sides and up/down level controls
- Main volume control on bottom
- BLE (Bluetooth Low Energy) Radio
- Supports Bluetooth 5.3
- Built-in mic and speaker
- Built-in flashlight
- Drop-in and USB-C charging
- eSIM & SIM card slot
- Dual SIM operation (switch between Private and Public cellular)

### Connectivity

- Designed for operation on 4G LTE and 5G Cellular networks (regional availability varies)
- USB-C port for beltpack pairing and firmware updates and charging

### Mechanical

- Curved shape fits to body
- IP54 rating for wet and dusty conditions

FreeSpeak Cell™ is a multi-channel, duplex digital wireless intercom beltpack operating on 4G LTE and 5G Cellular systems.

## Description

The FreeSpeak Cellular Beltpack is a rugged, water-resistant multi-channel device designed for wide-area, interference-resilient communication over 4G LTE and 5G cellular networks. Powered by a global 4G LTE/5G radio, the beltpack delivers low-latency, full-duplex audio and reliable roaming across private on-site networks or public cellular infrastructure. Its ergonomic design features a large color display, nine assignable keys for flexible talk/listen workflows, dedicated level controls, and an integrated mic and speaker for quick station-style operation. FreeSpeak Cell beltpacks scale to 400+ active users (network-dependent) and integrate directly with Eclipse HX (through EHX v15), providing a powerful new option alongside FreeSpeak II.

## Technical Specifications

### Audio

**Audio Bandwidth:** 100Hz-7.5KHz  
**No. of Full-Duplex Audio Paths:** Up to 9 keys  
**Mode of Operation:** Full duplex on all routes  
**Level/Talk Controls:** 9 buttons - A/B/C/D (top buttons) and 1/2/3/4 (front buttons), 1 reply button, 2 rotary encoders, 2 level up/down controls, and 1 (reprogrammable) main level control  
**Reply Button:** 1  
**Bluetooth** 5.3 Headset Profile  
**Bluetooth Codec:** MSBC using HFP (Hands Free Profile)

**Radio:** Red Cap 4G LTE/5G SA

**Channel Bandwidth:**  
 5G FR1: 5, 10, 15, 20 MHz  
 4G LTE: 1.4, 3, 5, 10, 15, 20 MHz

**Supported Bands\***  
 5G SA: n1/2/3/5/7/28/48/66/77/78  
 4G LTE: B1/2/3/4/5/7/12/13/20/28/48/66

### Connectors

**Headset Connector:** 4-pin male, Clear-Com standard, options for 5-pin female and 7-pin male with PTT  
**Headset Voltage:** Maximum of ~+8dBu as set by firmware  
**Microphone Type:** Electret and Dynamic, selectable in beltpack menu  
**Microphone Voltage:**  
**Electret Mic:** -40dBu  
 Mic bias for Electret mode is 4.4V  
**Dynamic Mic:** -55dBu  
 Mic bias for Dynamic mode is 1.8V  
**Headset Limiter:** Selectable from beltpack menu

### Power

**Battery:** Li-Ion  
**Battery Charging:** Drop-in charger (AC80) or local USB  
**Battery Life:** 8+ hours

### Environmental

IP54 water and dust resistance  
**Operating:** 14°-125°F (-10°-50°C)  
**Storage:** -22°-150°F (-30°-70°C)  
**Humidity:** Between 20% and 90%, Non-Condensing

### Dimensions

Tapered design at largest points  
 5.31 x 4.27 x 1.92in (WxHxD)  
 (134.87 x 108.46 x 48.77mm)

### Weight

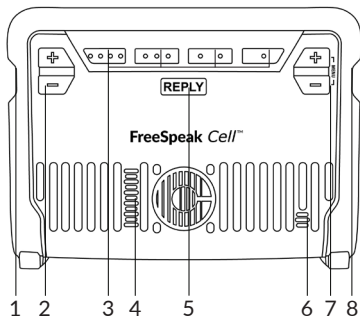
**Without Battery:** 12.31oz (349g)  
**With Battery:** 16.23oz (460g)

### Regulatory

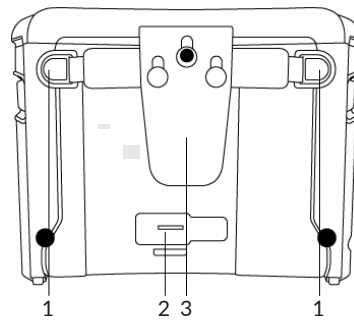
**Regulatory Model:** BP5GC1

**\*Note:** Hardware is designed for global band support. Additional bands are frequently added via regulatory updates. Contact sales for the latest roadmap.

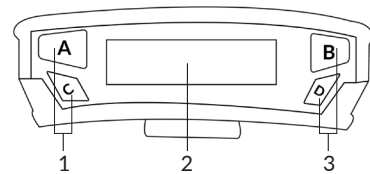
Front



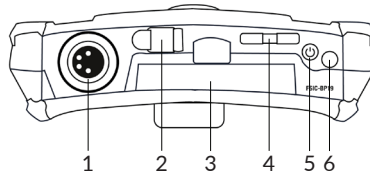
Back



Top



Bottom



## Legend

### Front

1. Rotary volume for Channel B
2. Channel D volume
3. 1-4 assignable keys
4. Speaker
5. Reply Key (assignable)
6. Mic
7. Channel C volume
8. Rotary volume for Channel A

### Back

1. D ring loop
2. SIM card slot
3. Beltclip

### Top

1. Buttons for A/C Channels
2. Display screen
3. Buttons for B/D Channels

### Bottom

1. Headset connector
2. Door for USB-C port
3. Battery
4. Main volume
5. Power button
6. Flashlight

## Order Codes

- FSC-BP-C-X4
- FSC-BP-C-X5
- FSC-BP-C-X7

